

TOTO

DLE 105ER

1-1 Important Safeguards

(For your safety, please follow the instructions below.)

Please read the safeguards carefully before installation.

- In this Installation Manual, the following symbols are shown for safe and proper use of your automatic faucet and in order to alert you to the possibility of personal injury and property damage.
- The items of observation are classified and described as follows

The symbols and their meanings are shown as follows.

	Warning	Ignoring these symbols may cause death or personal injury.
	Caution	Ignoring these symbols may cause personal injury or property damage.

		"Prohibited" Do not disassemble as shown in the left diagram.
		"Required" Must Follow as shown in the left diagram.

1-2

Warning

Never attempt to disassemble, reassemble or repair the Automatic Faucet. Otherwise it may cause fire or electric shock.

Caution

Do not strike or kick the Automatic Faucet. Otherwise it may cause damage or water leakage.

Do not install the Automatic Faucet in areas where freezing is possible. Otherwise it may cause malfunction or water leakage.

Close stop valve by hand before cleaning of strainer. Otherwise it may cause property damage due to water leakage.

2 Before Installation

1. Confirm the water pressure

- The cold water pressure must be higher or equal to the hot water pressure. (Thermostatic type) When the cold water or hot water pressure is higher than 0.75 Mpa, please purchase a relief valve from market to ensure the water pressure is 0.2 Mpa.
- The cold/hot water pressure range should be 0.05(0.06 for Thermostatic type) -0.75Mpa. Make sure the water pressure is within this range.

2. Confirm the hot water temperature (for Thermostatic type)

- The hot water temperature should be kept within 60°C~85°C, otherwise the product can not perform well.
- Steam is not allowed in the hot water pipe.

3. Piping and routing

- Install the hot water pipe from the heater within the minimum range, wrap the hot water pipe with heat preservation material (for thermostatic faucet).
- There is no stop valve for thermostatic faucet. The customers should install it by themselves, to facilitate the future cleaning and maintenance.
- Clean the supplying pipe completely, ensure it is free of sands and other rubbish.

4. Others

- Pay special attention in order that the sensor surface is not damaged.
- Do not place other sensor devices near the Automatic Faucet to avoid malfunctions.
- Water test is mandatory before faucet goes out of factory. There is no problem with the Automatic Faucet if water remains inside.
- Please check the Installation Manual and purchase drain parts, water stop valves, installing hooks, rackets and frames from market if necessary.

3 Name of Each Part

<p>Spout</p> <p>Labels: Spout Body, Installing Flange, Flexible Hose, Sensor Connection Wire</p>	<p>Spout Accessories</p> <p>Labels: Flange for supplying pipe (small), Fixing Screws, Wall plug</p>
<p>Control unit (Single Type)</p> <p>Labels: Cover, Self-generating unit, Flange (big), Supplying Pipe</p>	<p>Control unit (Thermostatic type)</p> <p>Labels: Cover, Self-generating unit, Temperature Control Handle, Corner Rack For Thermostatic Type, Fixing Screws</p>
<p></p> <p>Open-Close Tool</p> <p></p> <p>Installation Manual</p> <p></p> <p>Instruction Manual</p>	<p>Prepared By Customer</p> <p>Labels: Connect PVC pipe with glue as shown in the diagram, 300, 450, PVC tube, which diameter is 25mm, length is 300mm</p>

Note: Drainage accessories should be prepared by customers.

4 Specification

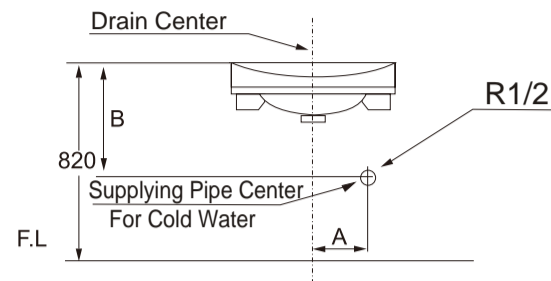
Type	Wall mounted type	
	Self-generating Type	
Batteries	Lithium battery	
Feed Water Pressure	Min Water Pressure (Flowing)	0.05 Mpa (single Type) 0.06 Mpa(Thermostatic Type)
	Max Water Pressure	0.75 Mpa
Highest Temperature (Thermostatic type)	85°C	
Water Quality	City Water	
Ambient Temperature	1~55 °C	
Detecting Range	130-200mm ※ The sensor has the ability to adjust the detecting range by fuzzy control (Detecting range is auto set, depending on the lavatory installed)	
Flexible Hose Length	0.82m	
Sensor Wire Length	1.8m	
Water Flow Control	Flow valve (4L /min) is attached inside the function part ※ use the stop valve if necessary	
Supplying Pipe	Single Type	R1/2
	Thermostatic Type	G1/2
Usage	Pubic area and bathroom in private room	

5 Supply Pipe Installation Size

Caution

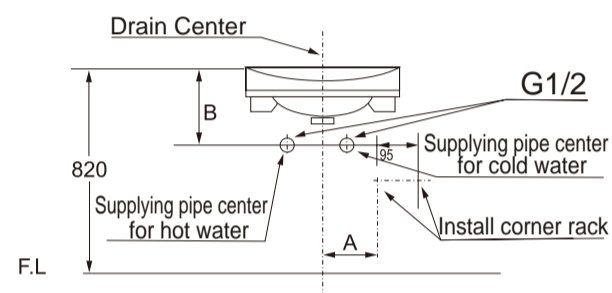
Please install the pottery based on the recommendations marked in the following diagram.

Single Type



SIZE TYPE	A	B
Single Type	100	400

Thermostatic Type



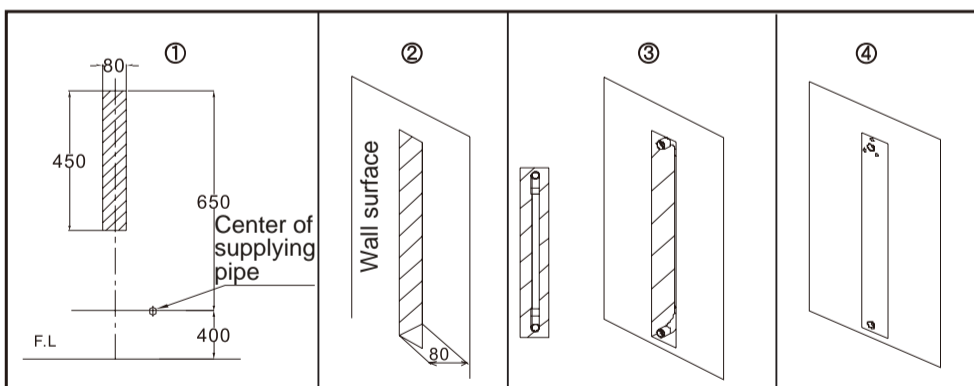
SIZE TYPE	A	B
Thermostatic Type	100	250

* Stop valve and Pipe not included in the delivery.

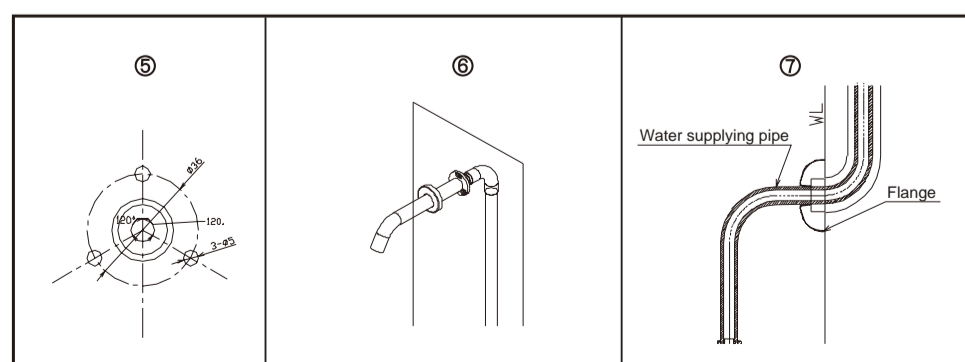
6-1 Install Procedures

1. Mark the installing centerline according to the diagram below. (Single type as an example)
2. Dig a channel on the wall. (depth is 80mm)
3. Install the PVC pipe in the channel. (use spacer if necessary)
4. Decorate the wall after fixing the PVC pipe with cements. (install tilts, etc)

* Cut the PVC pipe in same level with the wall.



5. Drill 3 holes on the wall, according to the center line of PVC pipe, as shown in the diagram.
6. Put the Supplying pipe and sensor through PVC pipe. Tighten the spout screws, tighten the Flange.
7. Install the flange after the water supplying pipe and sensor connecting lines goes out of the PVC pipe.



Caution

- By installing the appliance on a fake wall (Without digging the wall)
 1. Use suitable screws and cavity dowels prepared by the customer (the screw length depends on the thickness of the fake wall or glass)
 2. Drill 3 holes on the surface as shown in step 5.
 3. Install the pad on the fake wall with screws and nuts.

1 Clean the water supplying pipe.

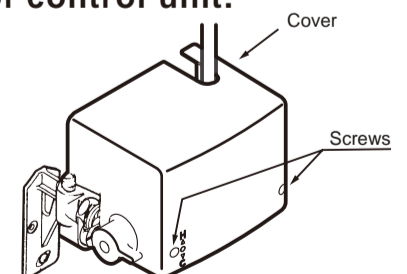
Clean completely all the rubbish and sands before installation!

Caution

- Do not install a hand dryer next to the faucet and do not let the hot wind from the hand dryer goes into the sensing range of the faucet.

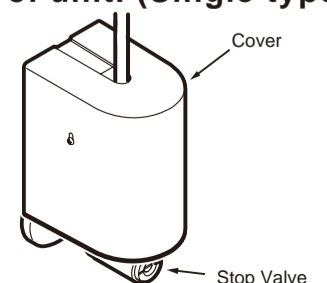
2-A Disassemble the cover of control unit. (Thermostatic type)

Disassemble the cover.



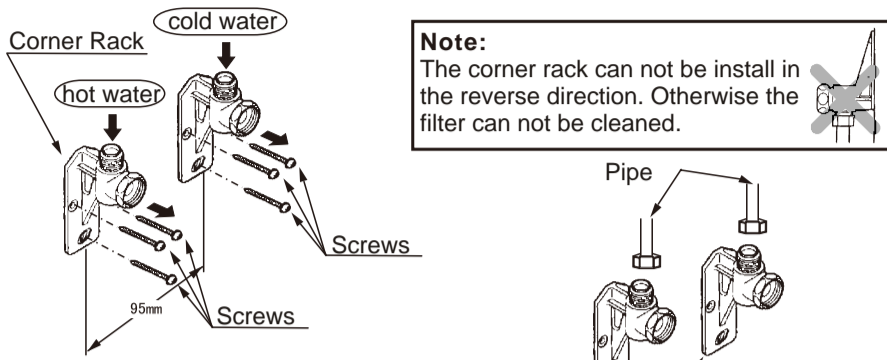
2-B Disassemble the cover of control unit. (Single type)

1. Disassemble the cover of control unit as shown in the direction.
2. Disassemble the fixing clip on the stop valve.
3. Pull off the stop valve.



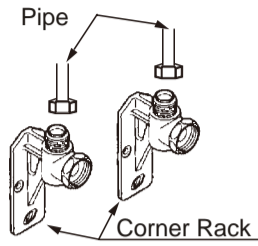
1-A Install the corner rack

1. Install 2 corner racks by 95mm between each other, as shown in the following diagram.



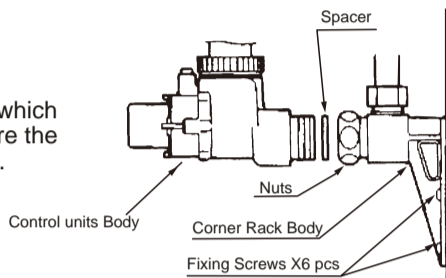
Note:
The corner rack can not be install in the reverse direction. Otherwise the filter can not be cleaned.

2. Install the cold/hot water pipe with the corner racks. (As shown in right diagram)



1-B Install the control unit. (Thermostatic type)

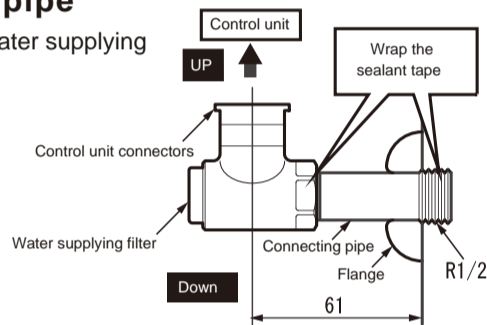
Fix the rack corner with the control unit, which has spaces, with screws and nuts. Be sure the rack is securely tightened with 6 screws.



2-A Install the water supply pipe

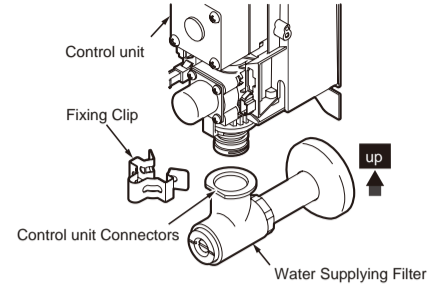
Install the flange, connecting pipe and water supplying filter.

Caution
Be sure that it is securely fixed, with the control unit upwards. Otherwise it may cause water leakage and malfunctions.



2-B Install the control unit

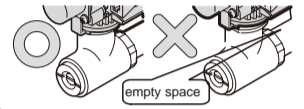
1. Be sure the control unit connection part is directed upwards, install the incoming filter on it.
2. Fix it with the clip.



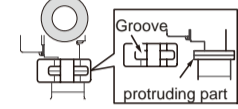
Caution

Be sure the fixing clip is securely installed. Otherwise it may cause leakage due to clip open

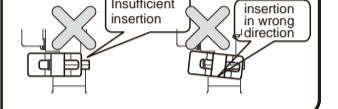
● Insert the parts securely, eliminate the empty space.



● Groove of the fixing clip should cover around the protruding part.



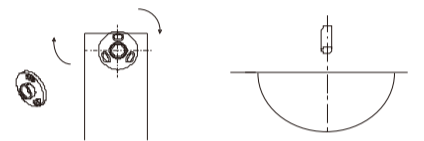
● After clip installation, visual check or check by mirror to ensure the correct installations.



3 Adjust the installing angle of the spout

Caution

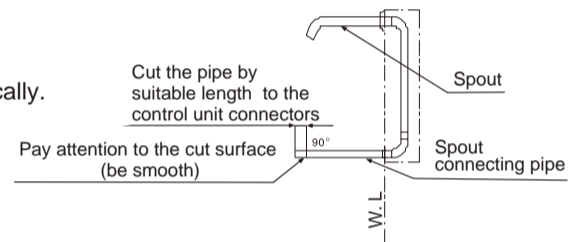
Adjust the pad position to ensure correct spout angel as shown.



4 Cut the spout connecting pipe

Cut the spout pipe with the control unit interface by suitable length.

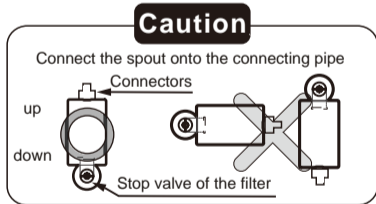
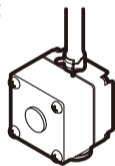
※ Cut the connecting pipe with knife vertically.



5 Connection of spout pipe

Insert the water supplying pipe into the control unit interface, securely fix the connection area.

- ※ Be sure the connecting pipe is connected.
- ※ Be sure not let the connecting pipe twisted.



1-B Connectors (single type)

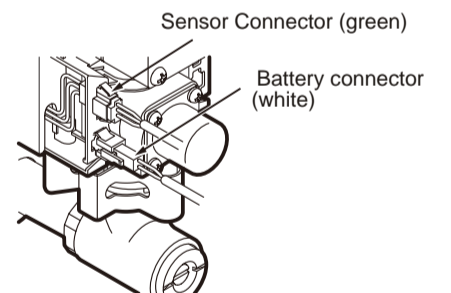
1. Put the Li-battery in position as shown in the diagram.

2. Securely fix the Li-battery's connector (white)

Note: When the connecting wire goes through the controller, be sure the screws should not be tangled with the wires.

3. Securely insert the sensor connectors (green) to position.

4. Put the sensor wires to position shown in diagram with fixing clip.



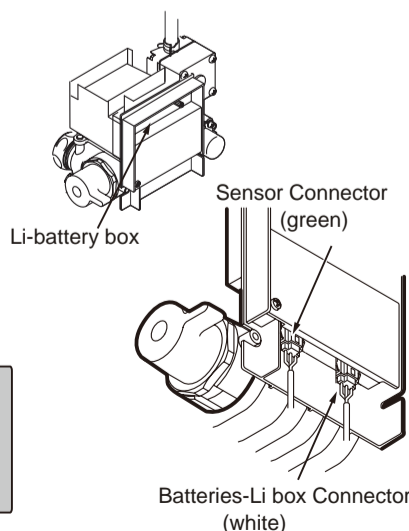
1-A Connectors (Thermostic type)

1. Put the Li-battery in position as shown in the diagram.

2. Securely fix the Li-battery's connector. (white)

Note: When the connecting wire goes through the controller, be sure the screws should not be tangled with the wires.

3. Securely insert the sensor connector (green) to position.



Caution

After the connector is connected, the appliance will set the detecting range automatically. Do not cover the sensor with hand. Do not put anything else in the pottery.

2 Ensure the sensing light of the sensor

Ensure the sensing light in the spout without covering the sensor with hand, or put anything else in the pottery lavatory.

- ※ Adjust the spout position a little bit if it twinkles.
- ※ The sensing light will turn off automatically in 10 minutes after the connector is connected. If the spout is not well set after the light is off, please do it again.

Caution

Be sure the appliance is in the center of pottery when checking the sensing light is twinkling.

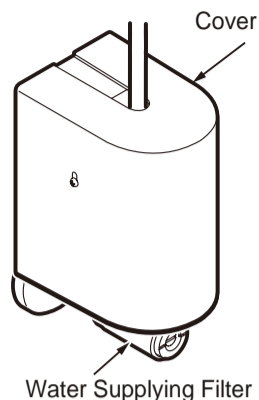
Caution

It is possible that the sensing light do not go off, depending on different pottery lavatory. It is not a problem, and please do not touch the product. (The sensing light will go off after twinkling for 10 minutes).

6-4

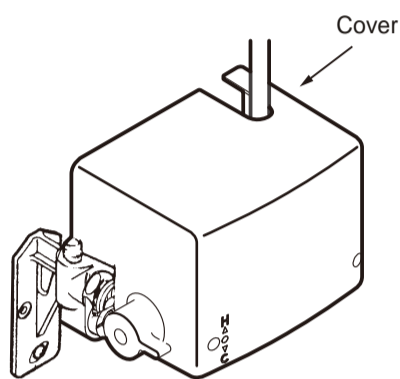
1 Install the cover (Single type)

Install the cover to position after the connectors are well connected.



2 Install the cover (Thermostatic type)

Install the cover to position after the connectors are well connected.



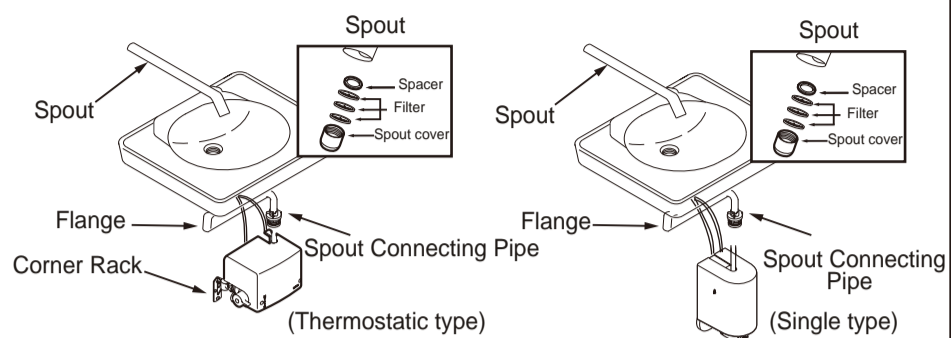
Caution

Do not tangle with wires when installing the control unit covers.

7

Checking after Installation

Please check the following after installation.



1. Check leakage

Check if the pipe is leaking.

- Is the valve leaking?
- Is the spout connecting pipe well connected?
Check 6-2 -5 (the connection of spout pipes)

2. Check the water flow

Check the following items if the water flow is too small.

- Is the valve open? See 8-2 -2 (water flow control)
- Is there any rubbish in the filter? See 8-1 -2 (filter cleaning)
- Is there any rubbish in the spout? Clean the spout.

3. Check if some parts are loose

Check if some parts are loose.

- Is the spout body loose? See 6-1 (install procedure)

8-1

Trial Run

1. Check after installation

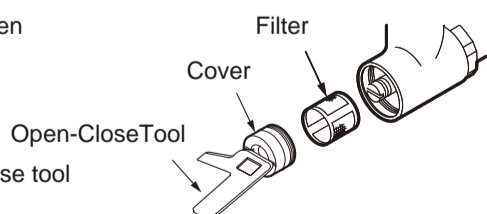
Check the following items after installation.

1. Check if water leaks.
Check the connection area of supplying water and spout if there is leakage.
2. Check the hot/cold water flows and stops.
 - The spout will flow if you put hands under the spout.
 - The flow stops 1-2 seconds after the hand moves away.
 - The spout will automatically stop after 1 minute working in sensing conditions.
 - The flow continues (for 1 minute) if you put hands about 4 mm in front of the sensor.

※ Check again (See 6-3 Install batteries) when malfunction.

2. Filter cleaning

Be sure to clean the filter after installation.
If the filter is jammed, the flow will decrease.
The functions will not be well performed.
Explain to customers they should often clean the filter.



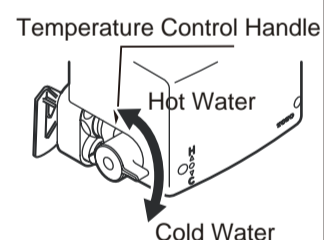
※ Please use the attached Open-Close tool when cleaning the filter.

Remove the filter cover after turning off the stop valve.

8-2

1. Temperature adjustment (Thermostatic type)

The faucet is pre-set to suitable temperature (38°C) before sending out of factory.
But too high water pressure will lead to low water temperature out of spout.
Adjust the temperature control handle on this occasion.



2. Flow control

There is constant flow control valve (4L/min) inside the control unit, so it is not necessary to do a flow control when the stop valve is full open. But if the pottery lavatory is too small or the flow pressure is too high, you may use the attached open-close tool to control the flow.

※ The customer can install another flow control valve to adjust the water flow for the Thermostatic type.

